

ITEM	DESCRIPTION	SPARES CODE
1	L.H. OUTER SIDE PANEL	734260000
2	R.H. OUTER SIDE PANEL	734260001
3	AIR FILTER	734260002
4	L.H. DOOR ASSEMBLY	734060034
5	R.H. DOOR ASSEMBLY	734060033
6	DOOR SEAL ASSEMBLY	734260005
7	OVEN SHELF	734260013
8	OVEN SHELF HANGER	734260015
9	L.H.TOP DOOR HINGE	535200006
10	L.H. BOTTOM DOOR HINGE	734260008
11	R.H. TOP DOOR HINGE	535200008
12	R.H. BOTTOM DOOR HINGE	734260009
13	HOB PANEL ASSEMBLY	734060005
14	DOOR CATCH	535480054
15	FOOT	535290028
16	DOOR HANDLE	535290022

PRODUCTION ISSUE

E3914i POST FEB 2014

ISSUE	MOD No	ALTERATION	DRAWN BY	DATE
A	1356	PRODUCTION RELEASED	P.METCALFE	27/03/13
B	7657	ITEM 8 CORRECTED, REF TO E3914i ADDED	F.GARVOCK	03/08/16
C	7963	ITMES 4 & 5 WERE 734260003&4	F.GARVOCK	29/09/17

IF IN DOUBT ASK
DO NOT SCALE
FIRST ANGLE PROJECTION

UNLESS OTHERWISE SPECIFIED:
DIMENSIONS ARE IN MILLIMETERS
TOLERANCES:
LINEAR: ±0.5mm
ANGULAR: ±0.5 DEG

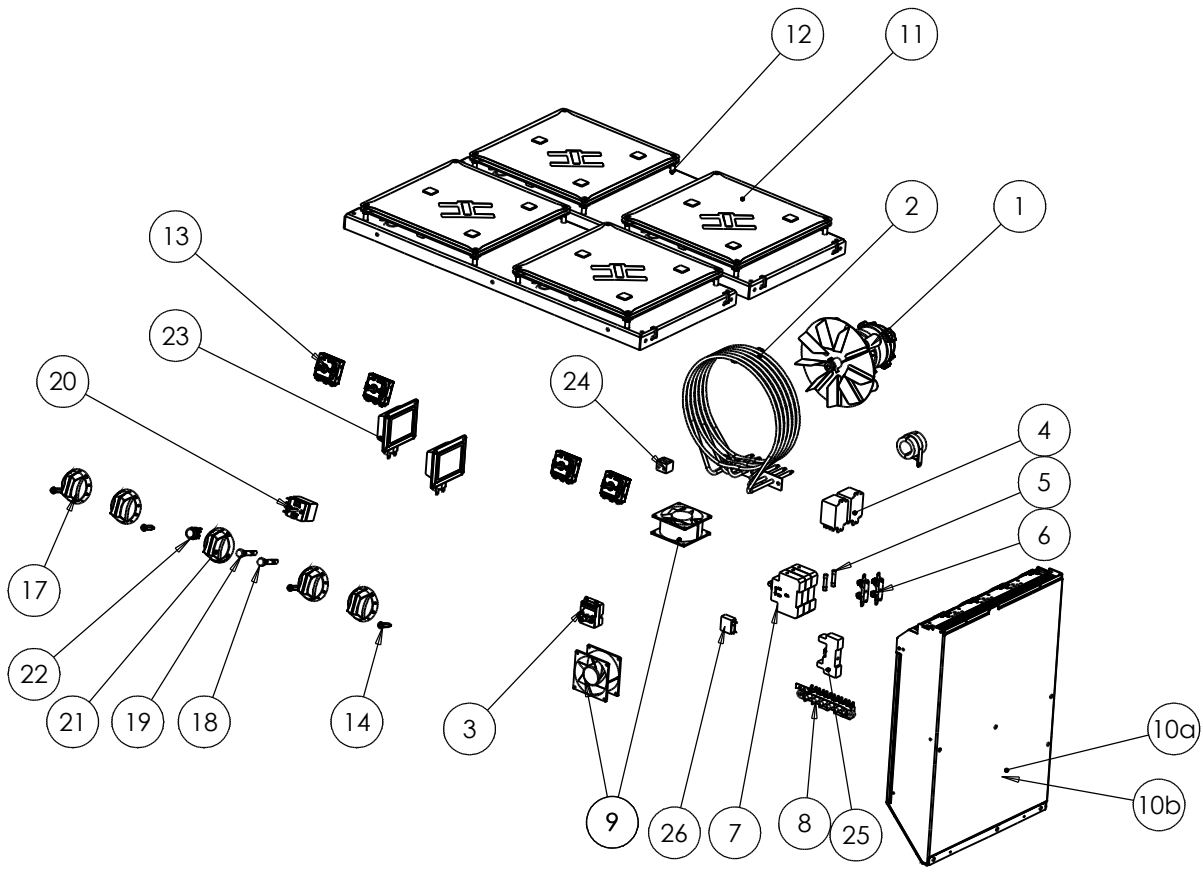
DEBUR AND
BREAK SHARP EDGES

WEIGHT: 197530.36g



DRAWN: P.METCALFE	PRODUCT	E3913i INDUCTION RANGE	
DATE: 14/08/12	TITLE	SPARES DIAGRAM - FITMENTS	
SCALE: 1:20	DRAWING NUMBER	AA49770	ISSUE C
MATL:	PART No:		
THICKNESS:	FINISH:		
BIN No:			

© NO REPRODUCTION OR PUBLICATION OF THIS DRAWING MAY BE MADE AND NO ARTICLE MAY BE MANUFACTURED OR ASSEMBLED IN ACCORDANCE WITH THIS DRAWING WITHOUT PRIOR WRITTEN CONSENT. THIS PROHIBITION IS A TERM OF ANY CONTRACT RELATING TO THIS DRAWING. RIGHTS RESERVED UNDER THE COPYRIGHT ACT 1956 AS AMENDED BY THE DESIGN COPYRIGHT ACT 1968



ITEM	DESCRIPTION	SPARES CODE
1	OVEN FAN	734250010
2	OVEN ELEMENT 6KW 230v	734250011
3	OVEN SAFETY THERMOSTAT	732910406
4	RELAY	735820008
5	FUSE 2A ANTI SURGE	734243006
6	FUSE HOLDER	734310510
7	MCB 40A	734250009
8	TERMINAL BLOCK	731000006
9	COOLING FAN	534500190
10a	GENERATOR E3914i	734250001
10b	GENERATOR E3913i	734250012
11	INDUCTION COIL	734250014
12	COIL FIXING KIT	734250003
13	LIN SWITCH	734250016
14	GREEN INDICATOR	734250017
15	LINK CABLE (NOT ILLUSTRATED)	734250018
16	GENERATOR CABLE (NOT ILL)	734250019
17	INNDUCTION CONTROL KNOB	734060003
18	RED INDICATOR	730962010
19	AMBER INDICATOR	730962040
20	FAN SWITCH C/W THERMOSTAT	731050004
21	OVEN CONTROL KNOB	535300004
22	LIGHT SWITCH	535500037
23	OVEN LAMP ASSEMBLY	732910390
24	TERMINAL BLOCK	734060004
25	RELAY BASE	536430019
26	RELAY FAN LOWER	734060000

PRODUCTION ISSUE

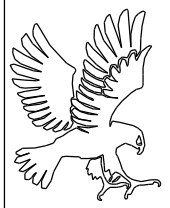
ISSUE	MOD No	ALTERATION	DRAWN BY	DATE
A	7388	PRODUCTION ISSUE	F.GARVOCK	24/08/15
B	7657	POST DATE WAS WRONGLY MAR 2015	F.GARVOCK	03/08/16

IF IN DOUBT ASK
DO NOT SCALE
FIRST ANGLE PROJECTION

UNLESS OTHERWISE SPECIFIED:
DIMENSIONS ARE IN MILLIMETERS
TOLERANCES:
LINEAR: ±0.5mm
ANGULAR: ±0.5 DEG

DEBUR AND
BREAK SHARP EDGES

WEIGHT: 186577.37g



DRAWN: F.GARVOCK	PRODUCT E3913/14i INDUCTION RANGE POST JUNE 2015	
DATE: 24/08/15	TITLE E3913i INDUCTION RANGE	
SCALE: 1:10	DRAWING NUMBER	ISSUE
MATL:	AA52682	B
THICKNESS:	FINISH:	PART No:
BIN No:		

© NO REPRODUCTION OR PUBLICATION OF THIS DRAWING MAY BE MADE AND NO ARTICLE MAY BE MANUFACTURED OR ASSEMBLED IN ACCORDANCE WITH THIS DRAWING WITHOUT PRIOR WRITTEN CONSENT. THIS PROHIBITION IS A TERM OF ANY CONTRACT RELATING TO THIS DRAWING. RIGHTS RESERVED UNDER THE COPYRIGHT ACT 1956 AS AMENDED BY THE DESIGN COPYRIGHT ACT 1968